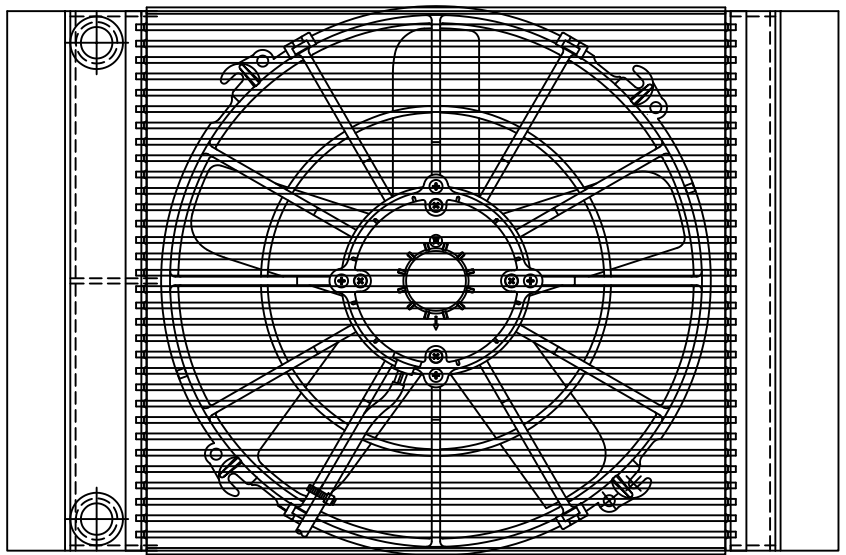
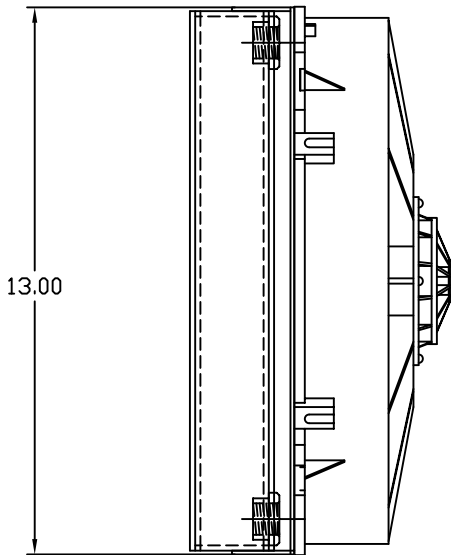
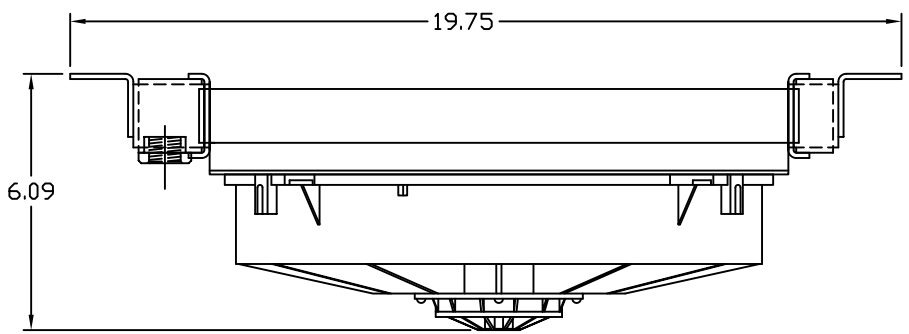


REVISIONS				
REV.	DESCRIPTION	DATE	ECR NO.	REV'D. BY
-	WORK IN PROGRESS	-	-	-
0	RELEASED TO PRODUCTION	-	-	-

COMPONENTS			
PART NO.	REQ'D	PART NAME	ITEM
-	1	CORE -	1
-	1	TANKS -	2
KPP-89	2	FITTINGS -1/2" NPT	3
KMS-27584-01	1	SHROUD - WITH PF-20 FAN	-



NOTES:

APPROVED BY	DATE
QUALITY	
ENGINEERING	
CUSTOMER	

∇ CRITICAL TO QUALITY

<p>GRIFFIN THERMAL PRODUCTS 100 HURRICANE CREEK ROAD PIEDMONT, SC 29673</p>		DO NOT SCALE DRAWING		LIMITS UNLESS OTHERWISE SPECIFIED DIMENSIONS ARE IN INCHES	
		THIS DRAWING ISSUED FOR RESTRICTIVE PURPOSES AND CONTAINS PROPRIETARY INFORMATION. IT MAY NOT BE COPIED, DISTRIBUTED, DISCLOSED OR USED IN MANUFACTURE WITHOUT THE WRITTEN CONSENT OF GRIFFIN RADIATOR.		2 PL. DECIMALS +/- 0.13 3 PL. DECIMALS +/- 0.063 FRACTIONS +/- 1/8 ANGLES +/- 1	
DRAWN BY j.e.b.		DWG NO. CX-27716-01		PART NO. -	
DATE 12/02/08		QUOTE NO. -		CUST. PART NO. -	
CUST. NAME GRIFFIN		MATERIAL SEE NOTES		PART NAME OIL COOLER	
		TUBE SIZE 32mmX3.5mm		CORE SIZE -	
		NO. PUNCHES 32		NO. ROWS 1	
		F. P. I. 19		L. F. T. .251L	